

LCF200

200 Litre Chest Freezer

Serving Australia since 1956

Features

- 200 litre gross storage capacity
- Durable white cabinet
- Storage basket
- Mechanical temperature control
- Power indicator function

Product Dimensions:

845mm H x 905mm W x 545mm D

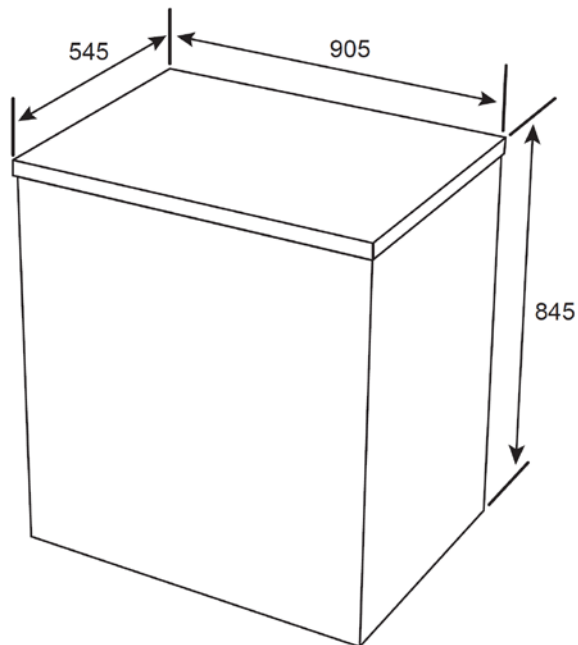
Technical Features:

- Energy rating: 3 star
- 42 dB(A)
- R600a refrigerant

Power:

- 220 – 240V ~ 50Hz
- 0.70 amp
- 300 kW per year

2 Year Warranty



Lemair